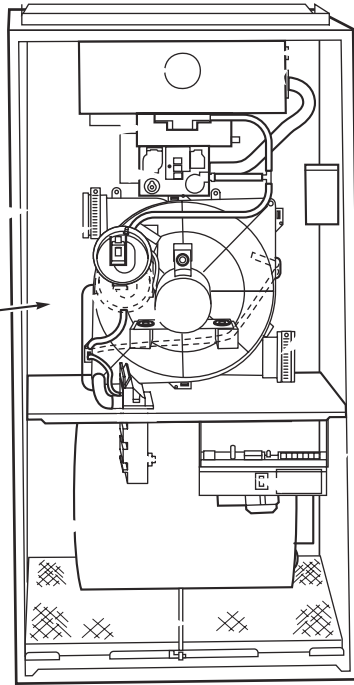
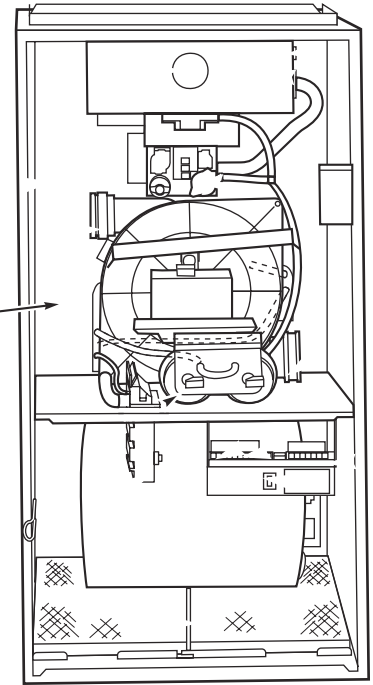


Secondary condensing heat exchanger (inside). Wrings out more heat through condensation. Constructed with polypropylene-laminated steel to ensure durability.



Secondary condensing heat exchanger (inside). Wrings out more heat through condensation. Constructed with polypropylene-laminated steel to ensure durability.



# Find Your Model Number

To locate your model number, remove the front door and look at the upper-left side of the unit. You can find the model number listed on a "rating plate" sticker inside of the unit.

If you can not locate the "rating plate" sticker inside the unit, look for a "rating plate" sticker on the unit. And of course, if you are unable to find your model number, you can always call your dependable Flame Heating, Cooling and Electrical Comfort Consultant for a hand.

